

# CSF Series

Single Cartridge Filter Housings with Ring Nut Closure for SOE Cartridges



- Designed for industrial and commercial filter applications
- Heavy duty construction for maximum durability
- 316L Stainless Steel construction with cast head and electro-polished sump suitable for a wide range of process requirements
- Accepts 222 or 226 connector cartridges with Fin or Flat ends
- Available with 3/4", and 1" in-line connections for easy installation
- Ring nut closure for quick cartridge change outs
- Equipped with mounting bracket kit and wrench
- Numerous gasket options for compatibility with most fluids

## Applications

Water	Chemicals
Food & Beverage	Electronics
Oil	Inks / Paints / Coatings
Coolants	Pulp & Paper

## Specifications & Operating Parameters

### Maximum Operating Pressure

300 psig (20.7 bar) @ 200°F (93°C)

### Connections

Inlet /Outlet: 3/4" or 1" FNPT

*Optional: BSPT, BSPP, RF Flanges, Sanitary Ferrules or Grooved Fittings*

Drain Port: 1/4" NPT Plug

### Materials of Construction

Head / Shell: 316L Stainless Steel

### Gaskets

Buna N

*Optional : EPR, Silicone, Viton*

### Options

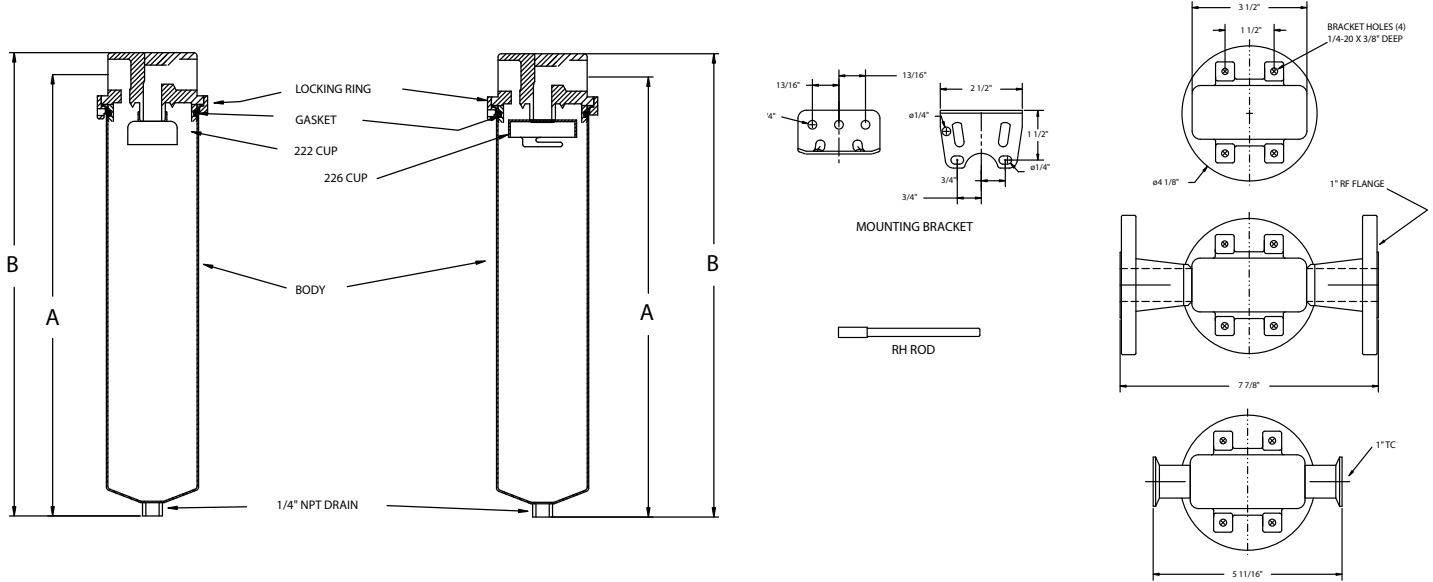
- Gauge Ports
- Vent Port with Vent Screw

*See Ordering Guide for complete selection of options*

MODEL	QUANTITY (LENGTH) OF CARTRIDGES	MAXIMUM FLOW RATE* GPM (LPM)	MAXIMUM DIAMETER CARTRIDGE	DRAIN SIZE	DIMENSIONS	
					A	B
CSF-78	1 (9 3/4-10")	7 (26.5)	2 3/4"	1/4"	16 9/16" (42.1 cm)	17 7/16" (44.3 cm)
CSF-80	1 (19 1/2 - 20")	14 (53)	2 3/4"	1/4"	26 9/16" (67.5 cm)	27 7/16" (69.7 cm)
CSF-90	1 (30")	21(79.5)	2 3/4"	1/4"	36 9/16" (92.9 cm)	37 7/16" (95.1 cm)

\* Based upon 7 gpm (26.5 lpm) per 10" cartridge length with a 25 micron wound cartridge at 2 PSID clean and a viscosity of 1 cps. Flow rates are guidelines only. Actual flow rates are based upon fluid, viscosity, cartridge type, micron ratings and other factors.

## Dimensions



## Ordering Guide (Example: CSF-786-222-GP4-B)

CSF	78	6	-	222	-	GP4	-	B
MODEL	CARTRIDGE LENGTH	PIPE SIZE FNPT		CARTRIDGE STYLE		OPTIONS		GASKET
CSF	78 = 10" 80 = 20" 90 = 30"	6 = 3/4" 8 = 1"		222 = 222 cup 226 = 226 cup with locking rings		Blank = None BSP = BSP thread 1F = 1" Flange+ 1TC = 1" Ferrules+ GP4* = 1/4" Gauge Ports Vent* = Vent Screw		B = Buna N (Standard) E = EPR S = Silicone V = Viton

\* When specifying vents or gauge ports, the location must be identified as I= Inlet, O = Outlet and I/O = Inlet and Outlet (Example: GP4I/O)  
+ Maximum pressure rating for rf flanges and sanitary ferrules is 150 psi (10.3 bar)

## Customization

Housings may be customized to meet your precise requirements. Contact Shelco's technical support staff or your distributor for more information.



### Shelco Filters

100 Bradley Street  
Middletown, CT 06457 USA

Tel: 800-543-5843 / Fax: 860-854-6120 / E-mail: [info@shelco.com](mailto:info@shelco.com)

MicroSentry™, MicroVantage™, Shelco Filters® and the Shelco logo are registered trademarks of the Tinny Corporation. Shelco Filters is a division of the Tinny Corporation.